

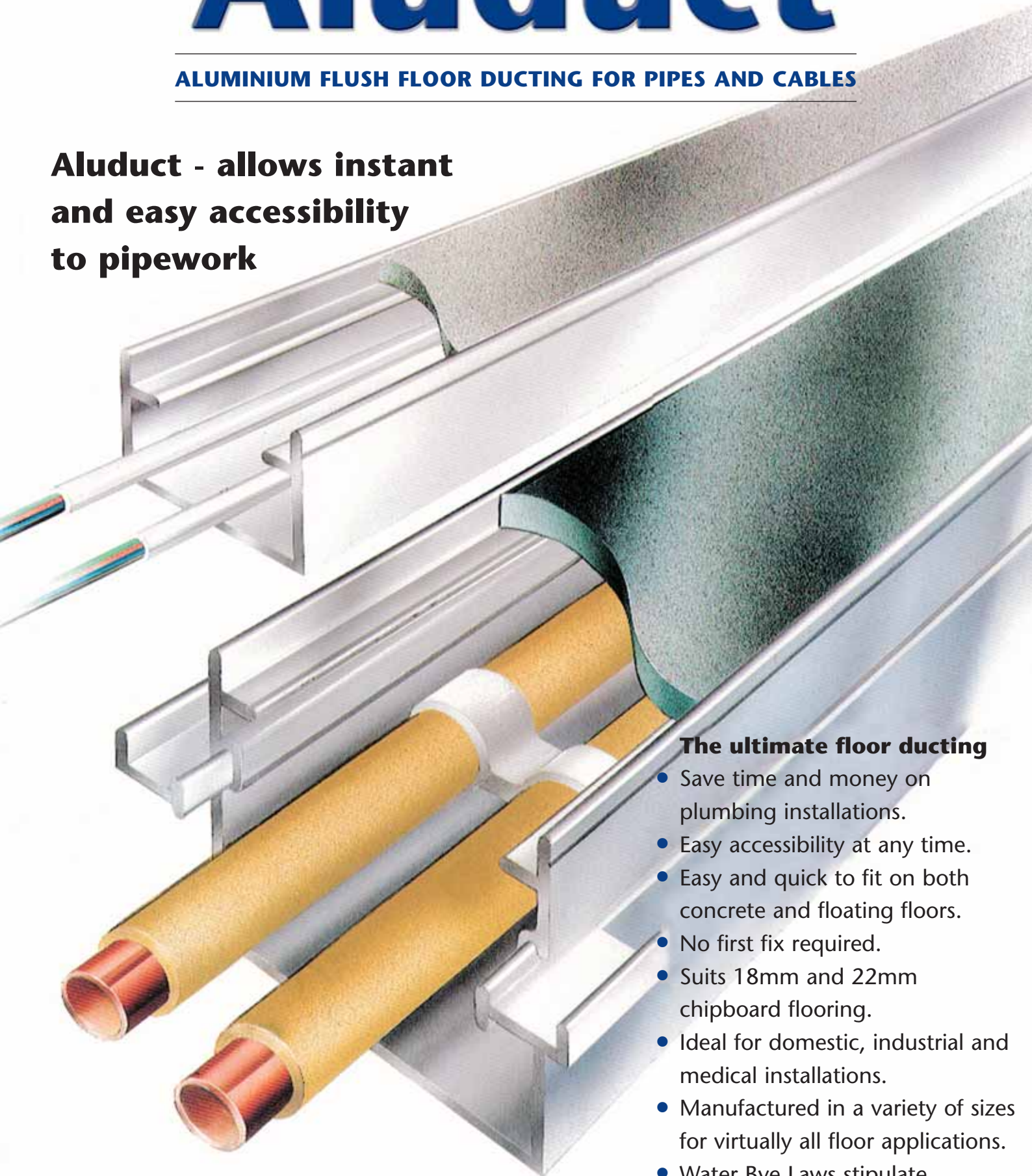
Aluduct

C1/SfB



ALUMINIUM FLUSH FLOOR DUCTING FOR PIPES AND CABLES

Aluduct - allows instant and easy accessibility to pipework

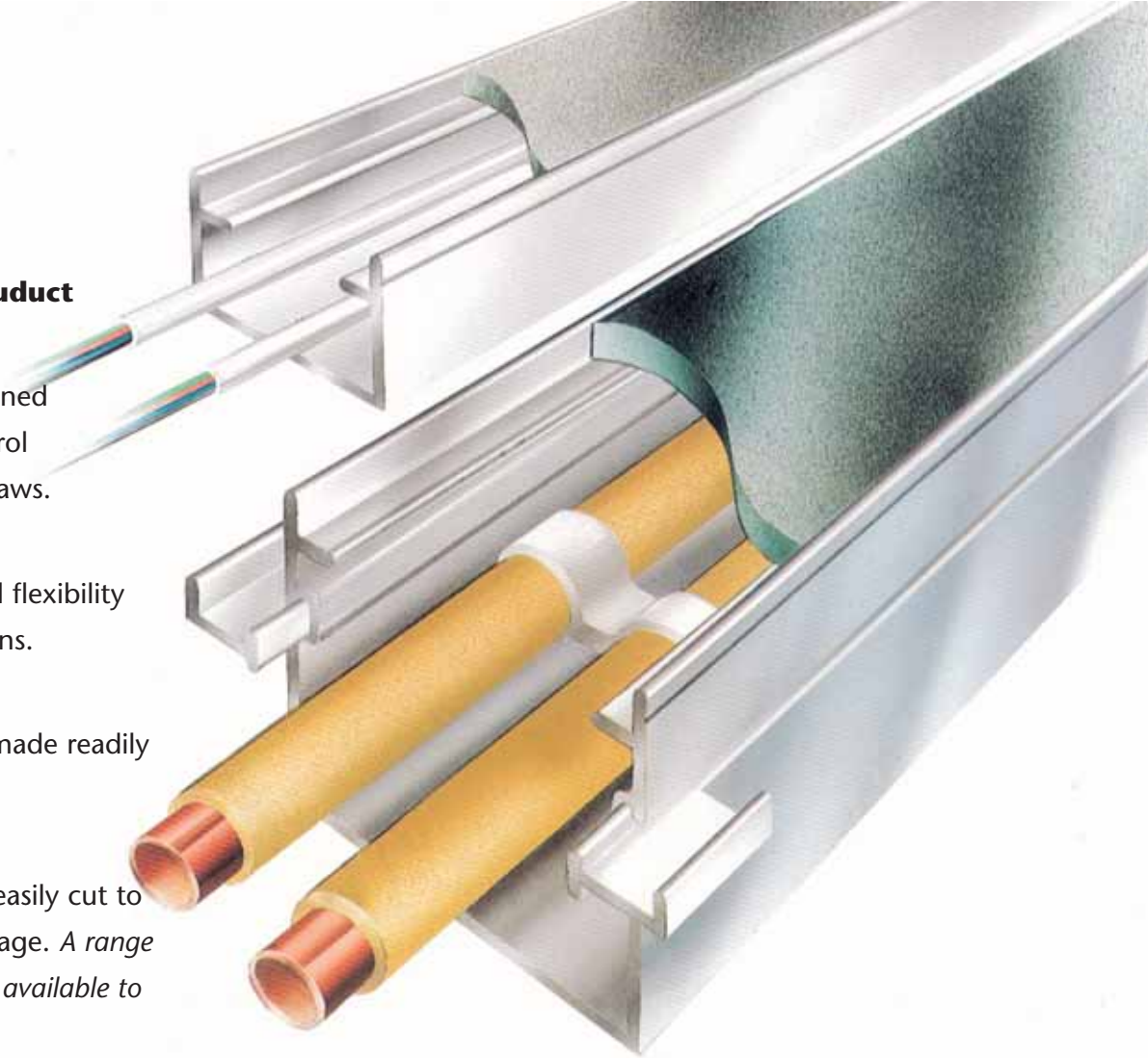


The ultimate floor ducting

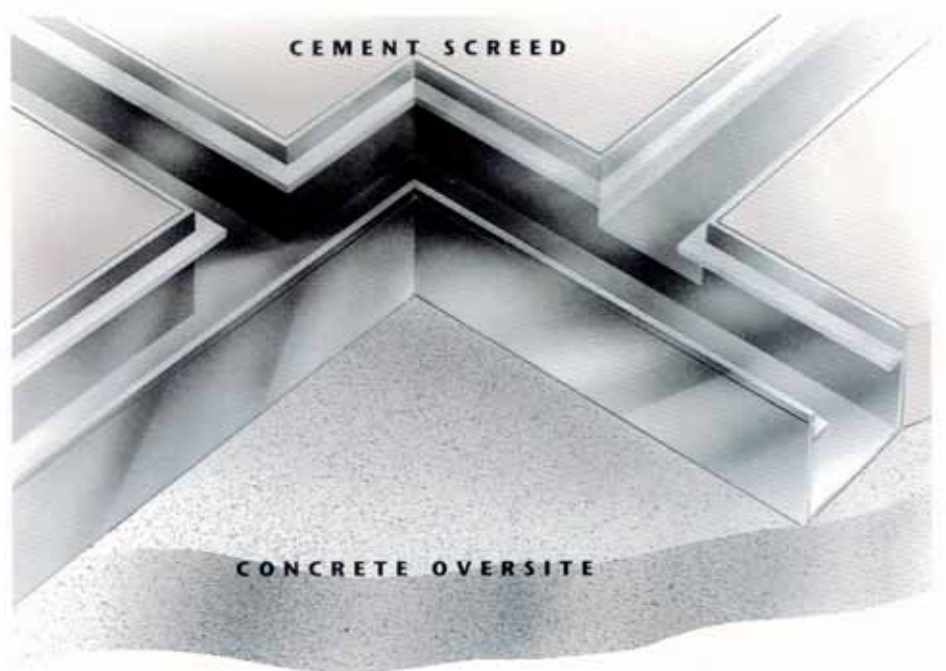
- Save time and money on plumbing installations.
- Easy accessibility at any time.
- Easy and quick to fit on both concrete and floating floors.
- No first fix required.
- Suits 18mm and 22mm chipboard flooring.
- Ideal for domestic, industrial and medical installations.
- Manufactured in a variety of sizes for virtually all floor applications.
- Water Bye Laws stipulate pipework must be accessible.

Benefits of using Aluduct

- Complies with the planned statutory building control regulations/water bye laws.
- Improves efficiency and flexibility on plumbing installations.
- Pipework and cabling made readily accessible.
- Is simply installed and easily cut to size with very low wastage. *A range of connection pieces are available to aid installation.*
- Once installed pipes can be sweated within the ducting.
- Aluduct is immensely strong and rigid, manufactured from 6063 T6 extruded aluminium to BS 1474.
- Can be surface treated for any special installations.
- **DO NOT BURY PIPES UNDER FLOATING FLOORS. LEAKING PIPES CAN GO UNDETECTED FOR A NUMBER OF YEARS LEADING TO VERY EXPENSIVE CONSTRUCTION REPAIRS.**



easy installation of CONCRETE SCREEDED FLOORS



- Fix the Aluduct straight onto the concrete oversite. Set level for an ideal straight edge.
- Simply cement screed to the top edge of the Aluduct.

easy installation of

ALUDUCT TIMBER FLOORS

CHIPBOARD



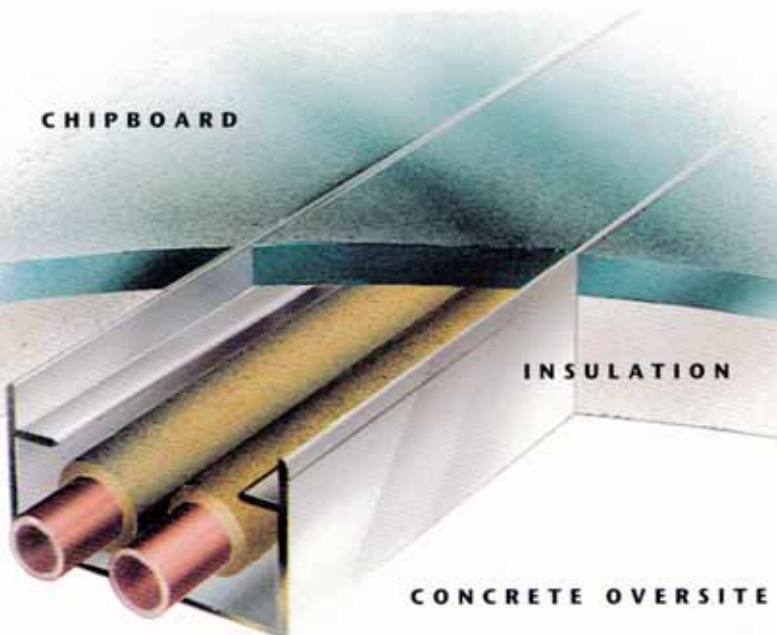
WOODEN JOIST

- Easily fitted by a joiner
- Timber batten when running between joists.

easy installation of

ALUDUCT ON A FLOATING FLOOR

CHIPBOARD



INSULATION

CONCRETE OVERSITE

- Heat insulation loss reduced - no voids. Increases heat efficiency.
- Allows simple access to pipework.
- Fitting time for floating floors dramatically reduced.
- Additional pipework can be easily laid at a later date without disrupting the existing flooring.

Install Aluduct in 5 easy steps



- 1 Saw the floor along the shortest route, using the Aluduct to mark the cutting edge, with a tungsten tip saw blade to leave clearance for the lid to drop back into the ducting.



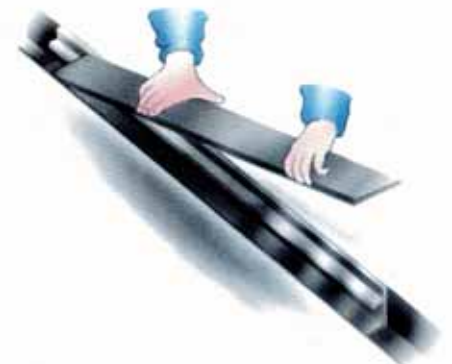
- 2 Remove the insulation.



- 3 Drop in the Aluduct.



- 4 Secure the Aluduct with 25mm x 2mm twist nails or annular ring shank through the pre-drilled holes.

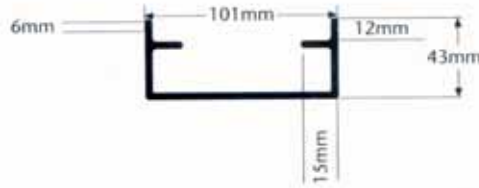


- 5 Replace the original chipboard lid after the pipework has been fitted and tested for leaks.

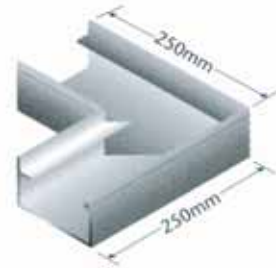
PROFILES AVAILABLE

There are four Aluduct sections available for a variety of domestic and commercial applications.

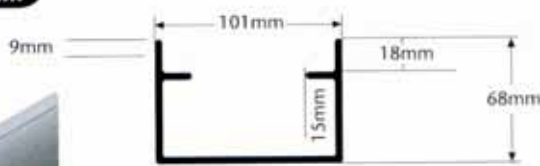
43mm x 100mm



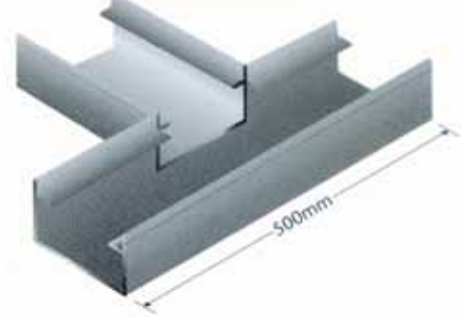
Corner Junction



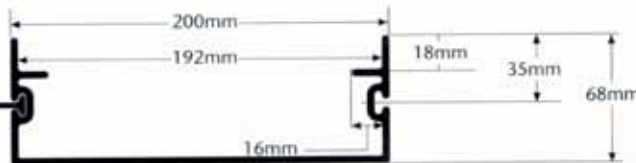
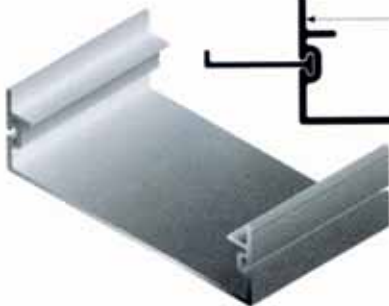
68mm x 100mm



Tee Junction



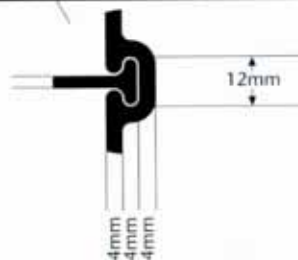
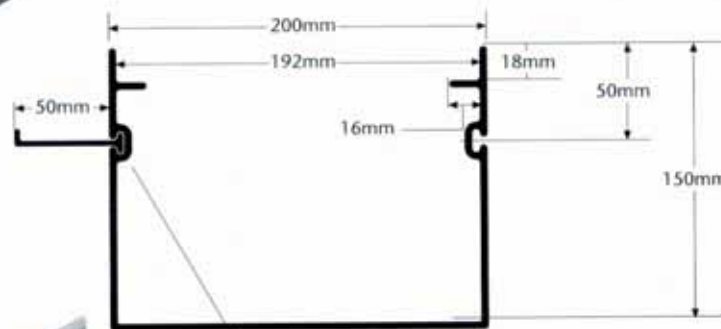
68mm x 200mm



Stop End



150mm x 200mm



Both the 68mm x 200mm and 150mm x 200mm Aluduct sections come with 'Keys' giving extra stability and rigidity within a newly laid concrete floor.

Technical detail available on request.

Aluduct

ALUMINIUM FLUSH FLOOR DUCTING FOR PIPES AND CABLES

Mayfield Manufacturing Ltd.

Hemingby · Horncastle · Lincolnshire · LN9 5QQ

Tel: 01507 578630 · Fax: 01507 578609

Web site address: www.aluduct.co.uk

(British Patent Granted No. GB. 2290091)

European Patent Pending No. 0610284